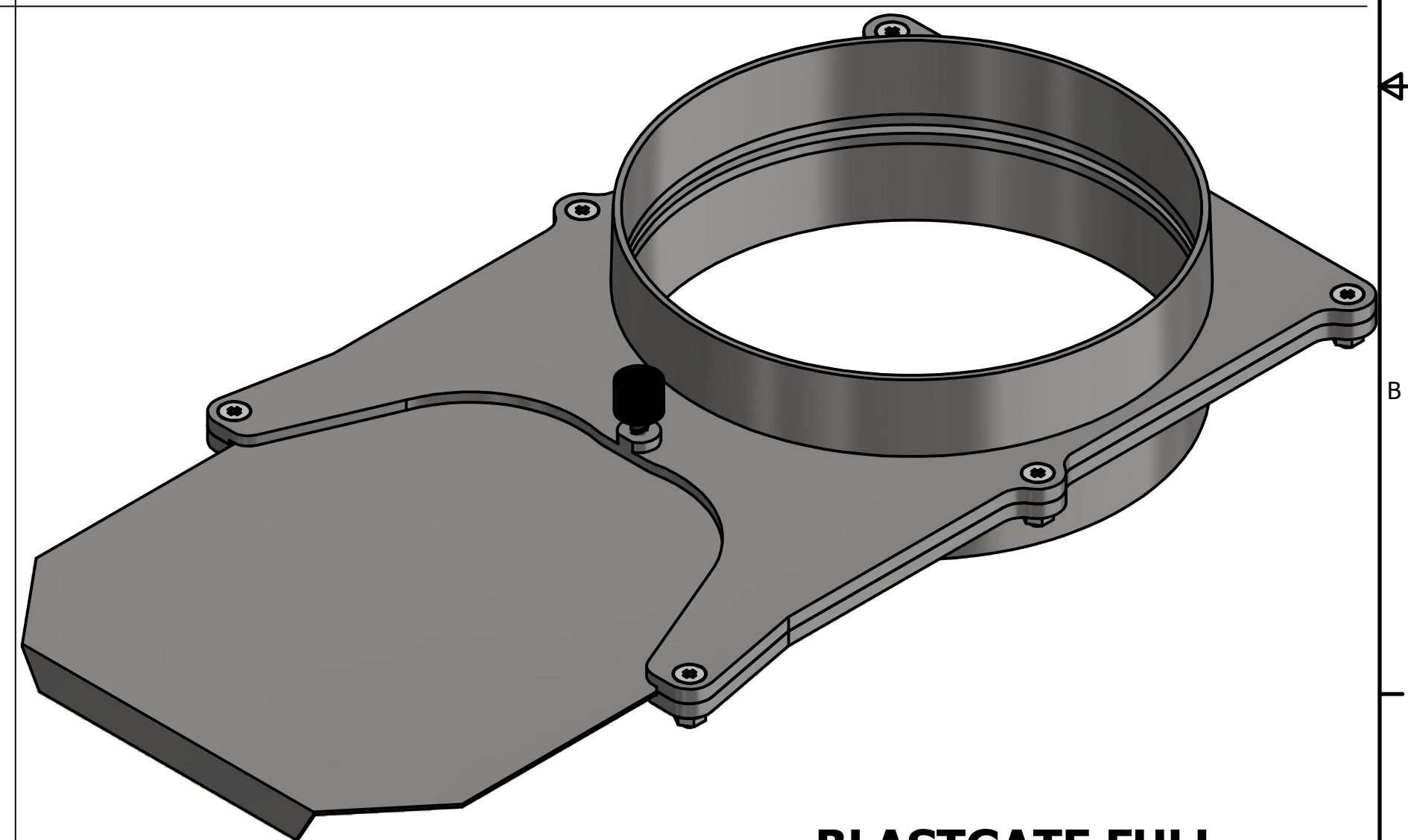
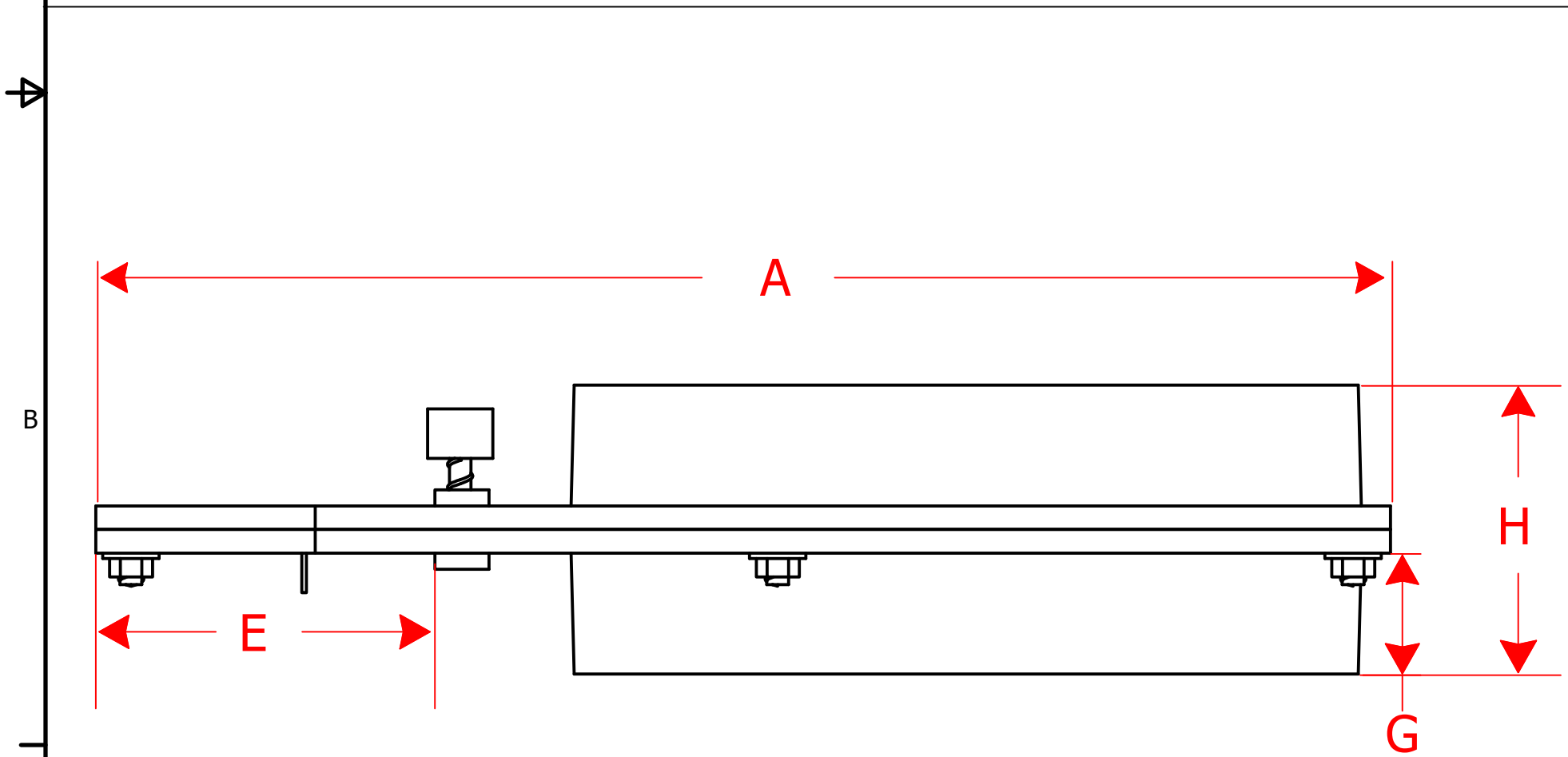


SIZE	PART #	A	B	C	D	E	G	H	LBS	BLADE GA
2"	BGF02	4.50	3.63	2.38	5.88	1.06	0.75	1.94	0.40	18
3"	BGF03	5.64	4.01	2.88	7.00	1.73	0.75	1.94	0.70	18
4"	BGF04	6.86	5.00	3.88	9.12	1.87	0.75	1.94	1.00	18
5"	BGF05	8.00	6.00	4.88	11.75	1.82	0.88	2.16	1.40	18
6"	BGF06	9.99	7.00	5.88	14.38	2.33	0.88	2.16	2.00	18
7"	BGF07	11.25	8.00	6.88	15.62	2.94	1.50	3.41	2.70	18
8"	BGF08	12.62	9.62	7.88	18.12	2.80	1.50	3.41	4.40	18
9"	BGF09	13.60	10.62	8.88	20.38	2.59	1.50	3.41	5.40	18
10"	BGF10	14.37	11.37	9.88	22.12	2.71	1.50	3.41	6.20	18
11"	BGF11	15.37	12.37	10.88	25.38	2.50	1.50	3.41	7.40	18
12"	BGF12	16.25	13.25	11.88	26.75	1.98	1.50	3.41	8.00	18
14"	BGF14	18.96	15.79	13.88	30.12	3.05	2.00	4.41	11.80	16
16"	BGF16	21.28	17.90	15.88	34.88	3.05	2.00	4.41	15.50	16
18"	BGF18	32.81	20.23	17.88	40.38	10.95	3.00	6.41	30.00	12
20"	BGF20	34.24	22.37	19.88	45.00	11.28	3.00	6.41	37.00	12
22"	BGF22	34.11	24.60	21.88	47.25	9.82	3.00	6.41	45.00	12
24"	BGF24	34.38	26.64	23.88	51.88	7.22	3.00	6.41	55.00	12

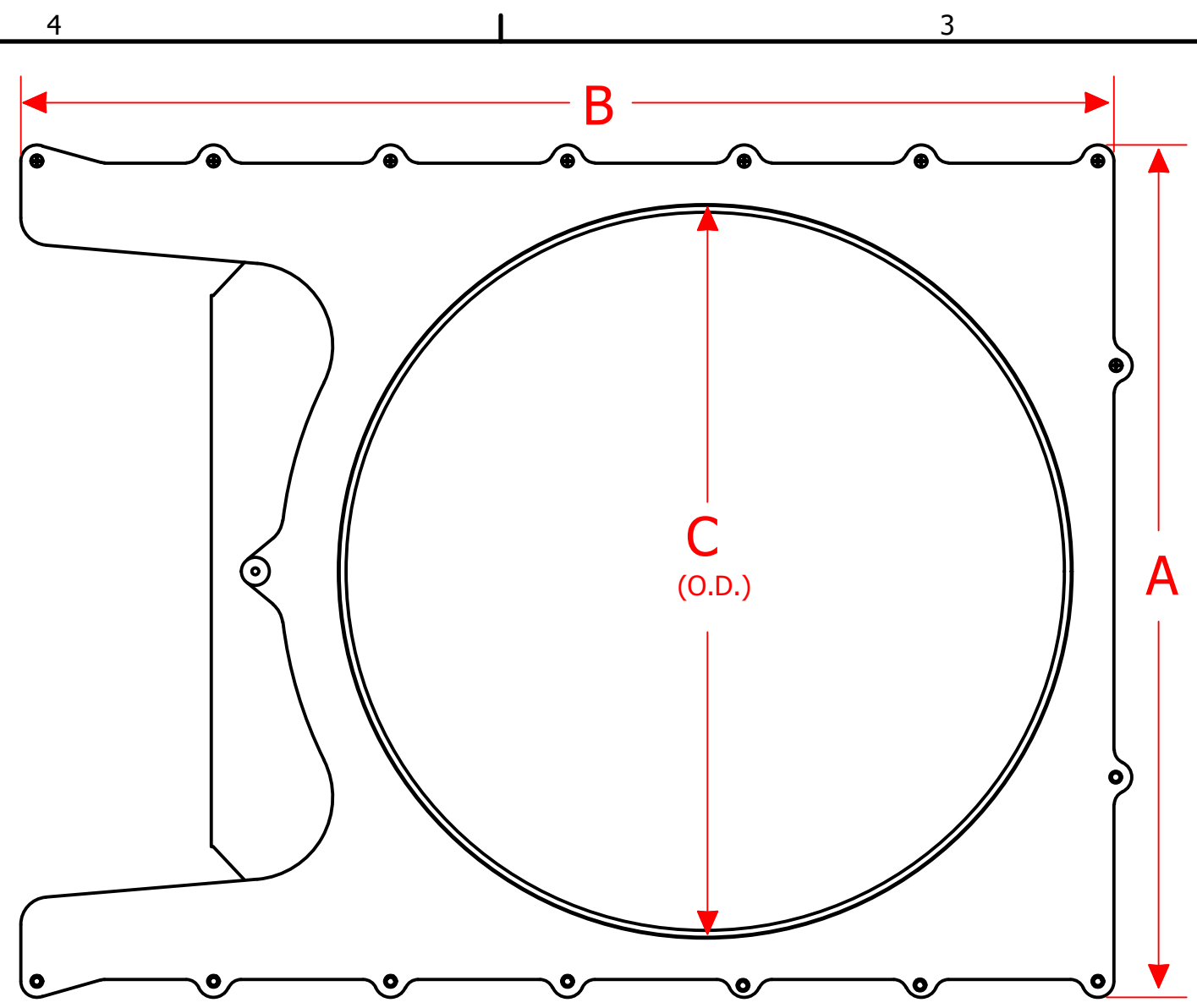
\*COLLARS ARE UNDERSIZED FOR SLIP FIT CONNECTION EXAMPLE 3" = 2.88 O.D.  
 - NOTE 2" IS SIZED FOR 2.5" SPIRAL PIPE (2.38" O.D.)\*



- DIE CAST 319 ALUM. ALLOY BODY
- GALVANIZED SLIDE BLADE
- LOCKING THUMB SCREW INCLUDED
- BOLT TOGETHER BODY FOR EASE OF CLEANING

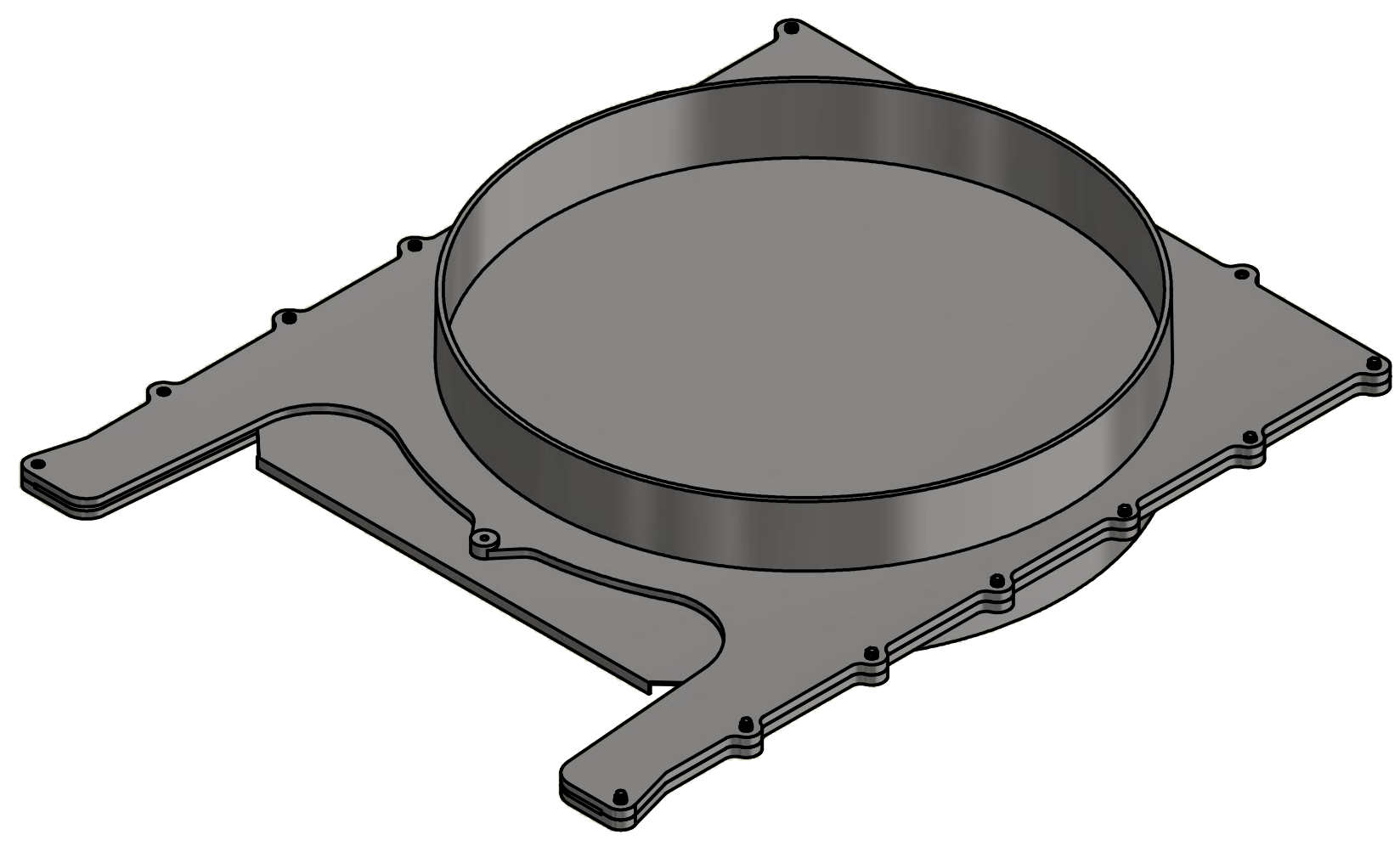
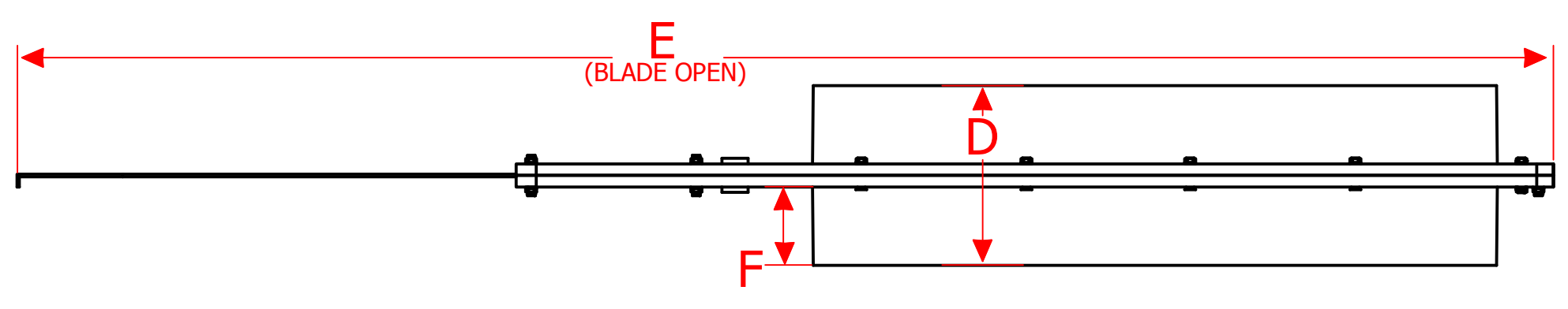
**BLASTGATE FULL**

DRAWN JBX		2/11/2016		UNLESS OTHERWISE SPECIFIED		<b>ABS</b>		14219 EAST 10 MILE ROAD WARREN MI 48089	
DIMENSIONS ARE IN INCHES TOLERANCES: FRACTIONAL 1/16" ANGULAR: MACH +/-30" BEND +/-30" TWO PLACE DECIMAL +/-0.06 THREE PLACE DECIMAL +/-0.030						TITLE <b>BGF CUTSHEET</b>			
MATERIAL GALV. BLADE 319 ALUM. ALLOY BODY						SIZE <b>C</b>	DWG NO <b>001-01-46</b>		REV
PART NO. SEE TABLE						SCALE 1:6	WEIGHT SEE TABLE		SHEET 1 OF 1



SIZE	PART #	A	B	C	D	E	F	LBS	BLADE GA
26"	BGF26	28.56	36.75	25.88	7.90	57.90	3.50	59.52	12
28"	BGF28	31.00	39.75	27.88	7.90	65.21	3.50	70.54	12
30"	BGF30	33.19	42.50	29.88	7.90	66.74	3.50	77.16	12

\*COLLARS ARE UNDER SIZED FOR SLIP FIT CONNECTION EXAMPLE 26"=25.88" O.D.\*



- DIE CAST 319 ALUM. ALLOY BODY
- GALVANIZED SLIDE BLADE
- LOCKING THUMB SCREW INCLUDED
- BOLT TOGETHER BODY FOR EASE OF CLEANING

**BLASTGATE FULL**

DRAWN JBX	3/15/2016	<b>ABS</b>		14219 EAST 10 MILE ROAD WARREN MI 48089	
UNLESS OTHERWISE SPECIFIED		TITLE			
DIMENSIONS ARE IN INCHES TOLERANCES: FRACTIONAL 1/16" ANGULAR: MACH +/-30" BEND +/-30" TWO PLACE DECLMAL +/-0.06 THREE PLACE DECLMAL +/-0.030		<b>BGF CUTSHEET</b>			
MATERIAL	GALV. BLADE 319 ALUM. ALLOY BODY	SIZE C	DWG NO 001-01-46	REV	
PART NO.	SEE TABLE	SCALE	1:6	WEIGHT	SEE TABLE
		SHEET 1 OF 1			