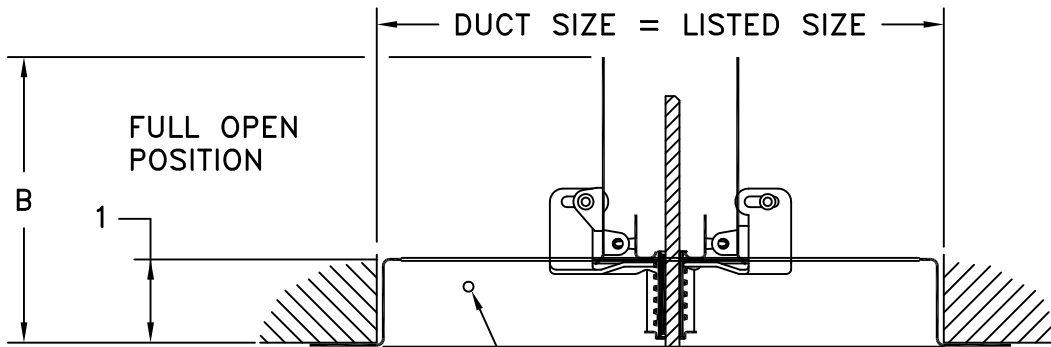
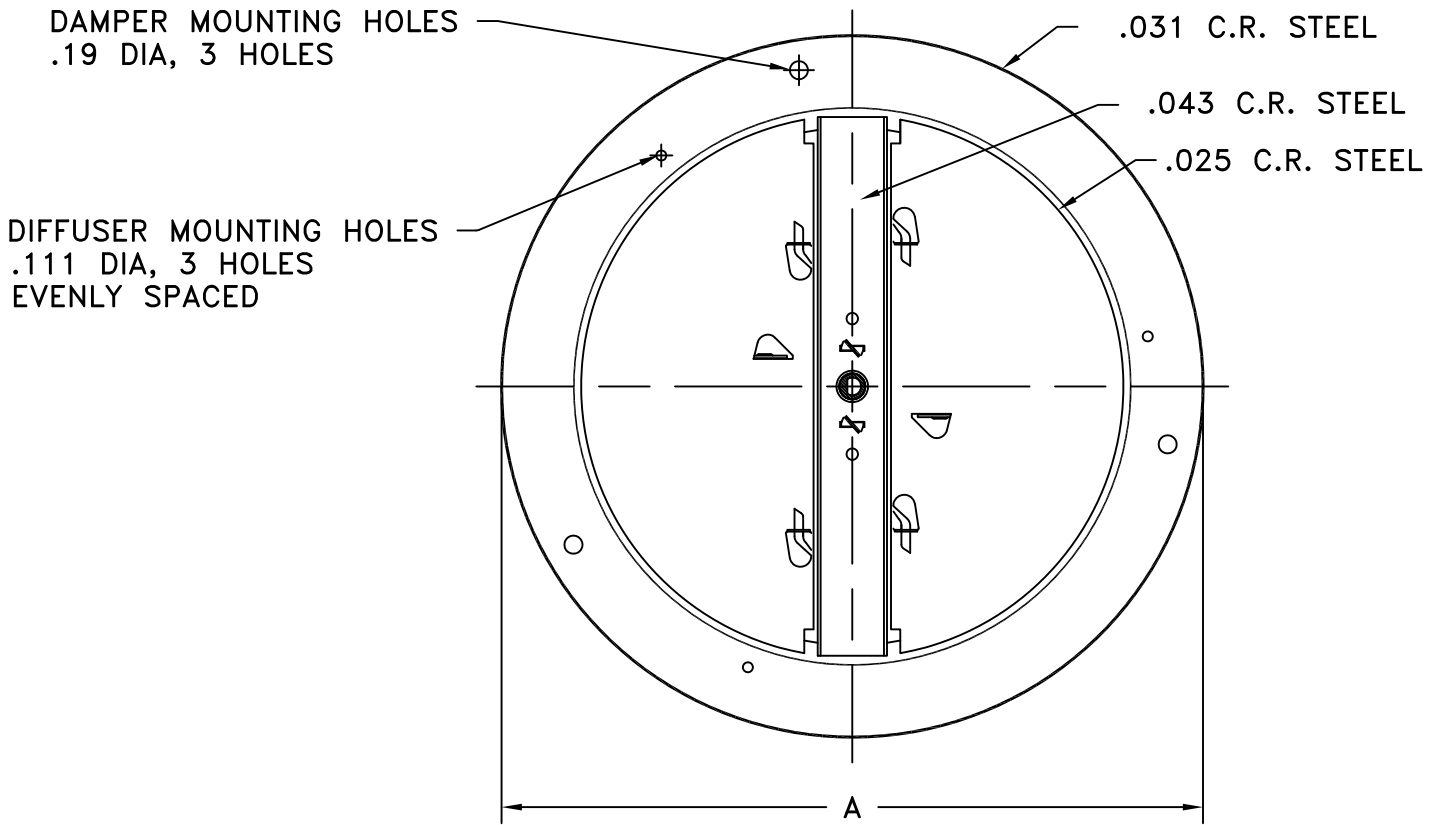


- ALL STEEL CONSTRUCTION
- DAMPER CONTROLS AIR EVENLY OVER ENTIRE DIFFUSER
- FINISH: BROWN ENAMEL FINISH



SIZE	A	B
6	7-1/2	3-11/16
8	9-1/2	4-11/16
10	10-7/8	5-11/16
12	12-7/8	6-11/16
14	14-7/8	7-11/16
18	18-13/16	9-11/16

REMOVABLE CONTROL KNOB

DUCT MOUNTING HOLE

JOB NAME: _____

LOCATION: _____

ARCHITECT: _____

ENGINEER: _____

CONTRACTOR: _____

SUBMITTED BY:

DATE: 11/04/2010

800-D
Butterfly Damper